

CHARACTERISTIC

- Gradual changed pitch, high ultimate pressure, large pumping capacity and fast exhaust.
- Energy-saving design, 30% reduction in power consumption.
- Special profile design, few medium gas condensation.
- Spiral jacket cooling, low exhaust temperature, no carbonization, prevents jamming, long service life.
- Internal no oil or water, no waste oil wastewater treatment, facilitating solvent recovery.
- Configurable gas seal, inlet purging, steam cleaning, solvent cleaning.
- Corrosion-resistant coating treatment for fluid contact parts, strong anti-corrosion ability.



VSP Series Screw Vacuum Pump

VSP150 - 400

CONTACT DETAILS

Address: No.27-2 Xinlin North Road, Lincheng Town,
Changxing County, Huzhou City, Zhejiang Province, China

- Cell Phone: +86-198-5725-1787
- WhatsApp: +8619857251787
- Website: www.vacculex.com
- Email: eddy@vacculex.com

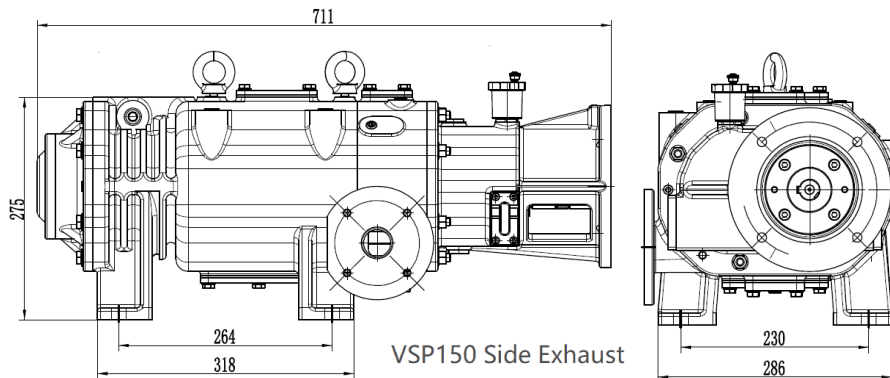


**Vacculex Vacuum Equipment
(Zhejiang) Co.,Ltd.**

PARAMETER

Model	Unit	VSP150		VSP200		VSP300		VSP400	
Frequency	Hz	50	60	50	60	50	60	50	60
Exhaust Volume	m ³ /h	110	130	250	300	250	300	330	400
	L/s	30.5	36.1	69.4	83.3	69.4	83.3	91.6	111.1
Ultimate Vacuum	Torr	7.5×10 ⁻²							
	Pa	10							
Motor Power	Kw	2.2	4	5.5	5.5	7.5	7.5	7.5	11
Rotation Speed	rpm	3000	3600	2900	3500	2900	3500	2900	3500
Exhaust Method		Side Exhaust/Bottom Exhaust							
Inlet Connection	JIS 10k	JIS40		JIS50		JIS50		JIS65	
Exhaust Connection	JIS 10k	JIS40		JIS40		JIS40		JIS50	
Cooling Water Flow	l/min	5 ~ 10		10 ~ 15		10 ~ 15		10 ~ 15	
Cooling Water Connection	NPT	NPT3/8		NPT1/2		NPT1/2		NPT1/2	
Gearbox oil volume	l/min	1		1		2		2	
Seal Purge Gas	l/min	5 ~ 15							
Pump Weight	Kg	155		250		340		450	

DIMENSIONS



DIMENSIONS

