

CHARACTERISTIC

- Pitches from 3.25" to 12" and rotor lengths from 2.5" to 48". Single unit pressure can reach 18PSI(g) and vacuum grade can reach 16"Hg(a).
- Five-point bearing design improves the bearing force condition during belt driving.
- Double oil tank design provides excellent cooling and lubrication to the bearings at both ends, ensuring low operating temperatures
- Synchronous gears mounted on the drive side, eliminating torsional stresses along the drive shaft.
- Helical gear design to ensure synchronous, silent and reliable operation.
- Multiple seal forms available: lip seal, mechanical seal and labyrinth seal.
- Optional gas-tight design to ensure that the outlet gas is completely oil-free.



RB Series Roots Blower

RB7017 - 1248

CONTACT DETAILS

Address: No.27-2 Xinlin North Road, Lincheng Town,
Changxing County, Huzhou City, Zhejiang Province, China

- Cell Phone: +86-198-5725-1787
- WhatsApp: +8619857251787
- Website: www.vacculex.com
- Email: eddy@vacculex.com



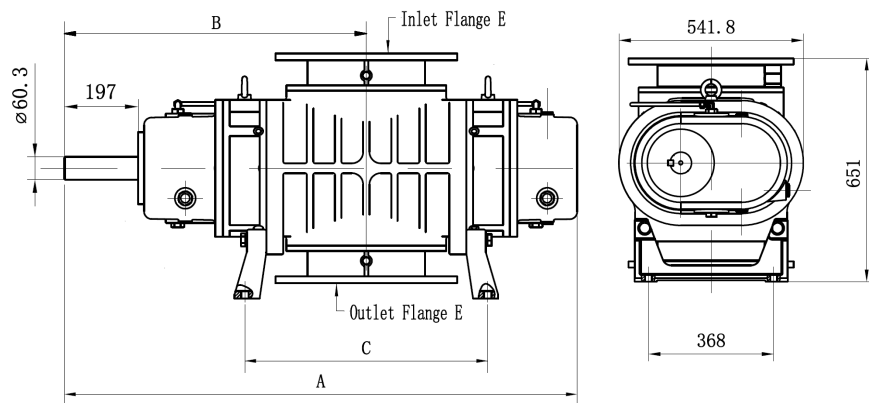
**Vacculex Vacuum Equipment
(Zhejiang) Co.,Ltd.**

PARAMETER

Model	Unit	RB7017	RB7021	RB7026	RB9027	RB1230	RB1248
Flow Range	m ³ /h	1022-4772	1331-5913	1788-7334	1054-9036	1311-15411	2217-15764
Shaft Power	kw	5.4-169	6.2-182	1.3-180	6.0-276	9.0-287	11-199
Max. Rotation Speed	rpm	3000	3000	3000	2400	1800	1400
Max. Vacuum Degree	mbar	508	508	508	508	406	339
Max. Pressure	mbar(g)	1034	1034	827	1034	620	413
Inlet Flange	ANSI	10"	12"	12"	14"	18"	20"
Outlet Flange	ANSI	10"	12"	12"	14"	18"	20"
Cooling Water Flow	l/min (15 °C)	3.8	3.8	3.8	5.7	7.6	9.5
Cooling Water Connection		1/4NPT	1/4NPT	1/4NPT	3/8NPT	3/8NPT	G1/4
Lubricant Volume	L	7.5	7.5	7.5	30	38	38
Pump Weight	Kg	578	658	726	1162	2680	3110

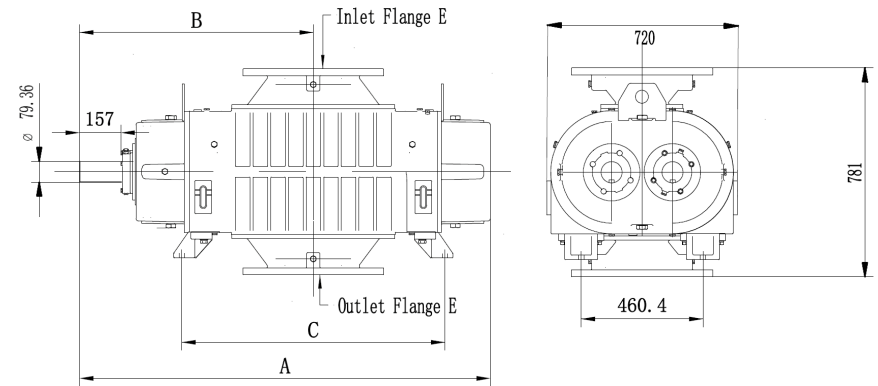
DIMENSIONS

Model	A	B	C	E
RB7017	1268	756	546	ANSI 10"
RB7021	1368	806	648	ANSI 12"
RB7026	1495	869	775	ANSI 12"



DIMENSIONS

Model	A	B	C	E
RB9027	1560	888	1000	ANSI 14"



Model	A	B	C	E
RB1230	2047	1089	1003	ANSI 14"
RB1248	2505	1318	1461	ANSI 20"

