

## CHARACTERISTIC

- Pitches from 3.25" to 12" and rotor lengths from 2.5" to 48". Single unit pressure can reach 18PSI(g) and vacuum grade can reach 16"Hg(a).
- Five-point bearing design improves the bearing force condition during belt driving.
- Double oil tank design provides excellent cooling and lubrication to the bearings at both ends, ensuring low operating temperatures
- Synchronous gears mounted on the drive side, eliminating torsional stresses along the drive shaft.
- Helical gear design to ensure synchronous, silent and reliable operation.
- Multiple seal forms available: lip seal, mechanical seal and labyrinth seal.
- Optional gas-tight design to ensure that the outlet gas is completely oil-free.



# RB Series Roots Blower

## RB3206 - 5518

## CONTACT DETAILS

Address: No.27-2 Xinlin North Road, Lincheng Town,  
Changxing County, Huzhou City, Zhejiang Province, China

- Cell Phone: +86-198-5725-1787
- WhatsApp: +8619857251787
- Website: [www.vacculex.com](http://www.vacculex.com)
- Email: [eddy@vacculex.com](mailto:eddy@vacculex.com)



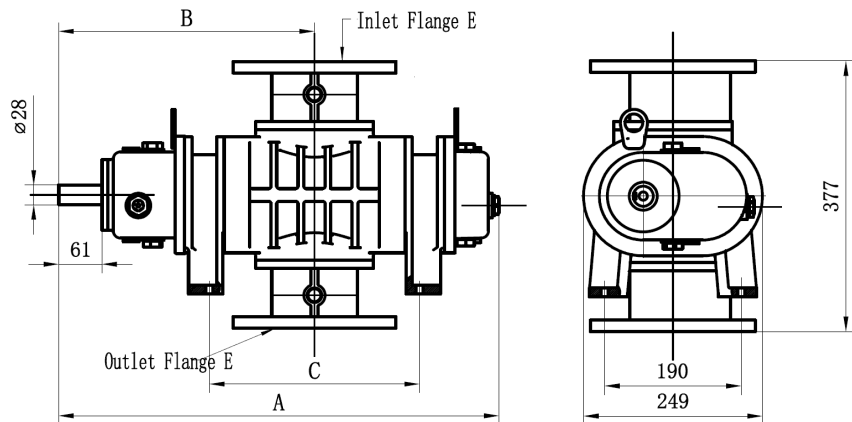
**Vacculex Vacuum Equipment  
(Zhejiang) Co.,Ltd.**

## PARAMETER

Model	Unit	RB3206	RB3210	RB4009	RB4012	RB5507	RB5511	RB5514	RB5518
Flow Range	m <sup>3</sup> /h	36-374	63-626	83-845	148-1159	168-1350	258-1991	833-2587	595-3335
Shaft Power	kw	0.8-3.0	0.9-21	1.3-34	1.5-38	1.9-52	2.2-62	2.6-71	3.0-70
Max. Rotation Speed	rpm	4000	4000	4000	4000	3800	3800	3800	3800
Max. Vacuum Degree	mbar	508	508	576	508	576	576	508	508
Max. Pressure	mbar(g)	1034	1034	1241	1034	1241	1172	896	689
Inlet Flange	ANSI	3"	4"	4"	4"	6"	6"	6"	8"
Outlet Flange	ANSI	3"	4"	4"	4"	6"	6"	6"	8"
Cooling Water Flow	l/min (15 °C)	0.8	0.95	0.95	1.5	1.5	1.9	1.9	1.9
Cooling Water Connection		1/4NPT	1/4NPT	1/4NPT	1/4NPT	1/4NPT	1/4NPT	1/4NPT	1/4NPT
Lubricant Volume	L	0.95	0.95	1.42	1.42	3.79	3.79	3.79	3.79
Pump Weight	Kg	73	88	118	136	204	236	263	310

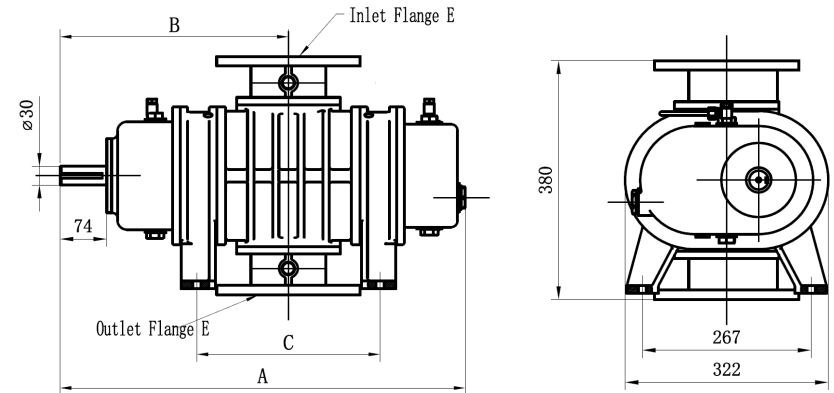
## DIMENSIONS

Model	A	B	C	E
RB3206	504	310	194	ANSI 3"
RB3210	604	360	295	ANSI 4"



## DIMENSIONS

Model	A	B	C	E
RB4009	635	364	292	ANSI 4"
RB4012	710	402	368	ANSI 4"



Model	A	B	C	E
RB5507	709	428	267	ANSI 6"
RB5511	798	473	356	ANSI 6"
RB5514	874	511	432	ANSI 6"
RB5518	874	602	533	ANSI 8"

