

## Characteristic

- Five-point bearing design, double oil tanks, high stability.
- Nitrogen gas barrier to block gas from entering the oil tank; prolonging service life.
- Suitability for high temperature, high differential pressure and high vacuum environments, robust design, high reliability.
- Standard materials and various coatings available.
- Internal coating protection against corrosion, especially suitable for petrochemical, chemical and pharmaceutical industries.
- Optional single-point mechanical seal, oil slinger ring seal, eliminating cross contamination, reducing oil consumption.
- Optional five-point mechanical seal, labyrinth seal, completely eliminating cross-contamination, reducing oil consumption.



# MB Series Roots Vacuum Pump

## MB100 - 720

### CONTACT DETAILS

Address: No.27-2 Xinlin North Road, Lincheng Town,  
Changxing County, Huzhou City, Zhejiang Province, China

- Cell Phone: +86-198-5725-1787
- WhatsApp: +8619857251787
- Website: [www.vacculex.com](http://www.vacculex.com)
- Email: [eddy@vacculex.com](mailto:eddy@vacculex.com)



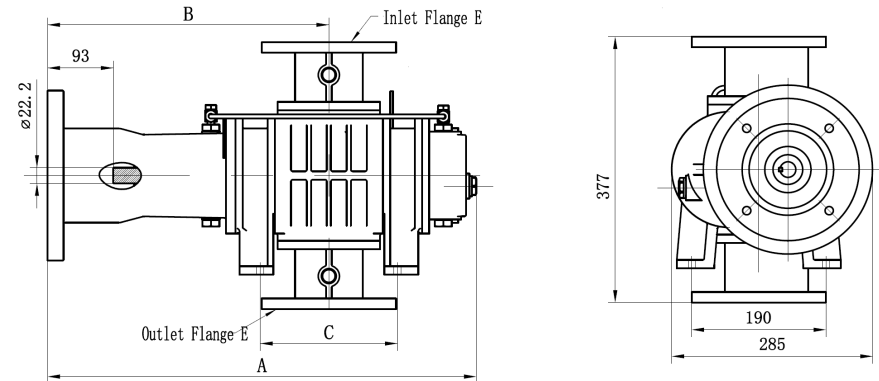
**Vacculex Vacuum Equipment  
(Zhejiang) Co.,Ltd.**

## PARAMETER

Model	Unit	MB100	MB200	MB400	MB540	MB720
Max. Pumping Speed	m <sup>3</sup> /h	170	340	680	920	1220
	L/s	47	94	189	256	339
Nominal Pumping Speed	m <sup>3</sup> /h	135	270	540	740	980
	L/s	38	75	150	206	272
Ultimate Full Pressure	Torr	7.5×10 <sup>-4</sup>	7.5×10 <sup>-4</sup>	7.5×10 <sup>-4</sup>	7.5×10 <sup>-4</sup>	7.5×10 <sup>-4</sup>
	Pa	0.1	0.1	0.1	0.1	0.1
Motor Power	Kw	1.5	1.5	2.2	4	4
Recommended Rotation Speed	rpm	1450	2900	2900	2900	2900
Max. Rotation Speed	rpm	3600	3600	3600	3600	3600
Inlet Flange	ANSI	3"	3"	4"	4"	4"
Outlet Flange	ANSI	3"	3"	4"	4"	4"
Cooling Water Flow	l/min (15°C)	0.8	0.8	0.95	0.95	1.5
		1/4NPT	1/4NPT	1/4NPT	1/4NPT	1/4NPT
Lubricant Volume	L	0.95	0.95	0.95	1.42	1.42
Pump Weight	Kg	73	73	88	118	136

## DIMENSIONS

Model	A	E	C	B
MB100	607	ANSI 3"	194	398
MB200	607	ANSI 3"	194	398
MB400	706	ANSI 4"	295	449



Model	A	E	C	B
MB540	718	ANSI 4"	292	440
MB720	794	ANSI 4"	368	478

